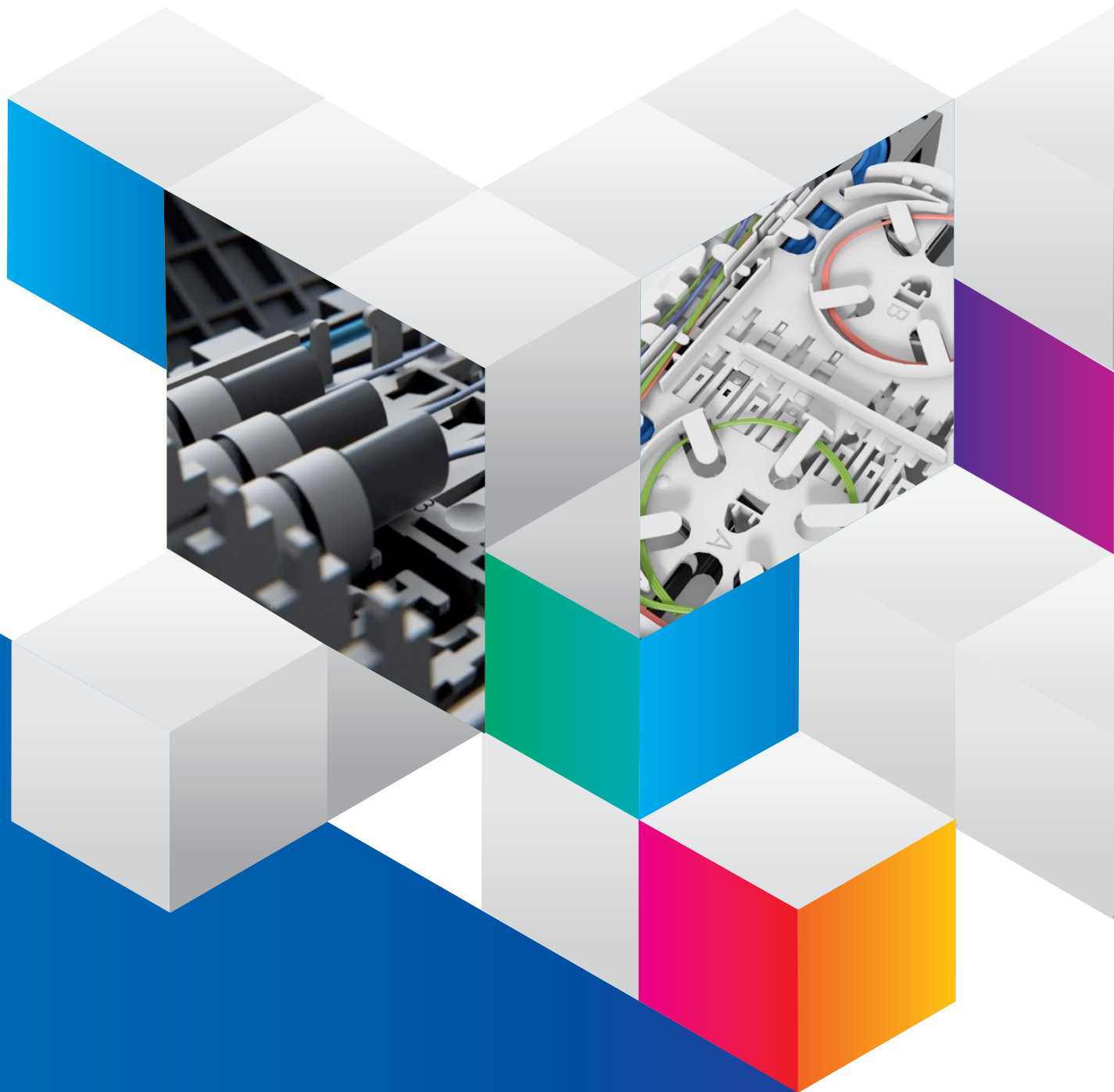


NOVUX™ Compact Closures

A new-generation ecosystem simplifies FTTX deployments



COMMSCOPE®

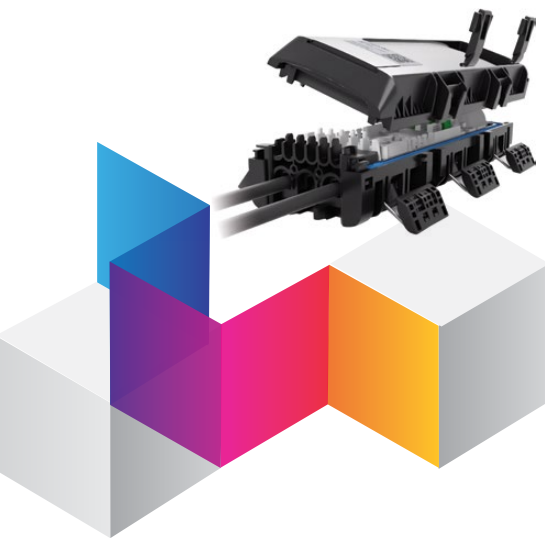
NOVUX is the new way for what's next

CommScope's new NOVUX™ ecosystem is the next step in the evolution of connectivity and fiber-to-the-X (FTTX) networks. Configurable, scalable and simple, NOVUX transforms networks with a modular, end-to-end architecture.

75% fewer components than existing products

DELIVER

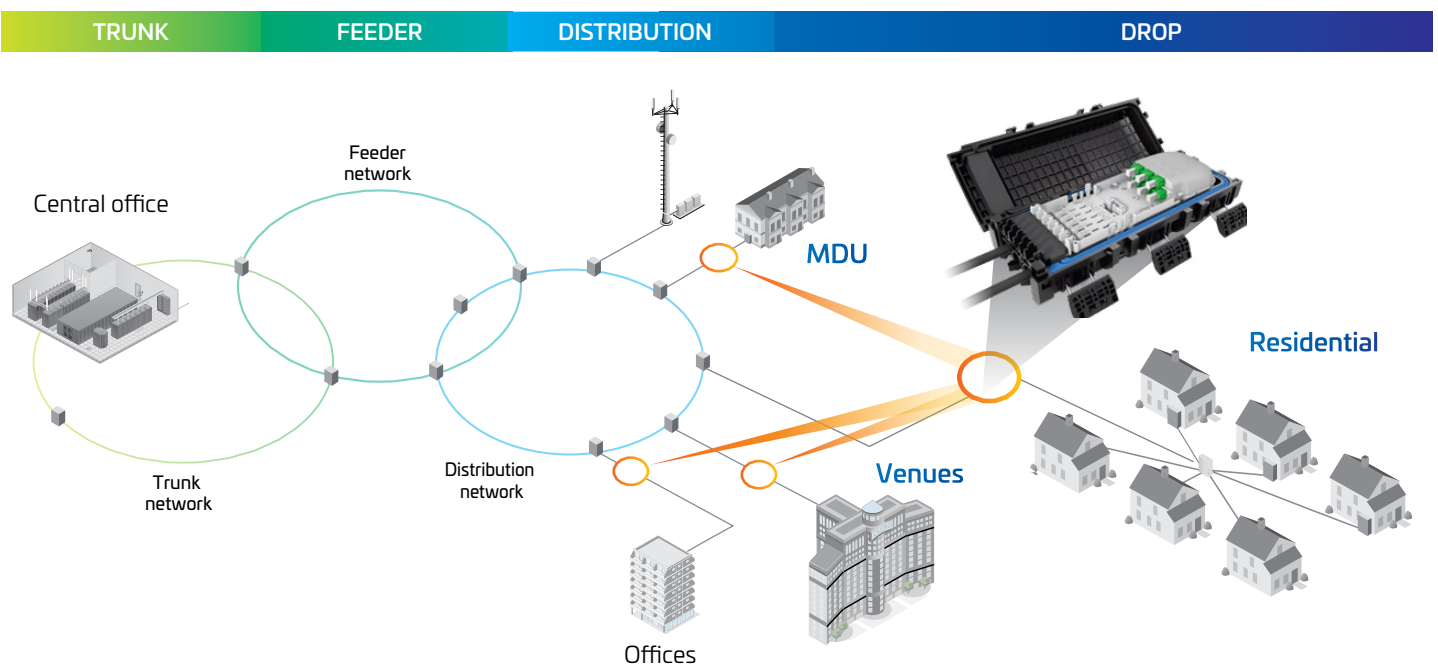
50X the number of configurations available today



Modularity that outperforms

As fiber goes deeper into the network, how can FTTX providers in search of simple, responsive, and quickly configurable drop network components prepare for the technology changes to come? CommScope's answer: the totally new NOVUX compact closures. Designed for FTTX drop applications, NOVUX compact closures are easily configurable and are available in high volumes to meet demand.

And just as the right solution can be key to optimizing network performance, an experienced partner with global reach can help providers achieve their long-term goals of meeting the new demand for bandwidth and rollout speed. That partner is CommScope. We help companies around the world design, build, and manage their wired and wireless networks. The new NOVUX compact closures will help providers maximize today's infrastructure while moving toward the future.



Application flexibility—from the newest and most advanced CommScope technologies

Designed for installers: easy installation, easy access

From the beginning, NOVUX compact closures were designed for ease of installation and access. And because we began with that goal in mind, your technicians will love the way this totally new component simplifies their fieldwork.

- Responds quickly to new field requirements, simplifying changes
- Advanced Octopus™ gel seal allows easy technician entry, even after numerous closure accesses
- Removable inner body with 360-degree access for ease of fiber routing
- Universal cable attachment with configure-to-order retention option

Octopus™ Gel Seal

Resilient and extremely conformable, Octopus gel protects delicate equipment from a wide range of harsh environmental conditions. This highly adaptable seal allows technicians entry for upgrades or maintenance, even after numerous closure accesses. In addition, a newly designated cable termination unit accommodates a wider range of cable sizes within the same closure. This design, in combination with the new Octopus gel, minimizes the need to measure cable size and match to the gel pack size. Providers can use nearly any cable materials and size.



Legacy meets innovation

Connectivity independence

Splice only, pre-connectorized drop, or field-installable connector, so network planners can deploy the closure more easily in more locations with quick and easy access for new builds, expansions and upgrades.

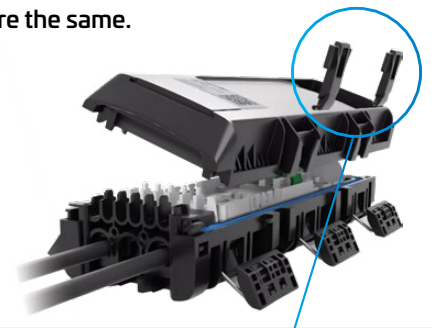


Standard connections



Spliced connections

You choose. Because not all networks are the same.



- 24 (splice/patch) or 48 (splice/splice)
- 6 SC or 12 LC, pre-connectorized or field-installed
- Up to 2 splitters with in-tray integration
- 6 or 12 drop
- Fiber identification

Removable hinge design

- Innovative removable hinge design allows cover to open from the left, right or top
- Hinge lock system for security
- Black or gray colors
- IP68 2-meter water head



Configurable. Scalable. Simple.

Ready for the field workforce of the future

Whatever your application and wherever you need to mount them, NOVUX compact closures are ready. Featuring built-in mounting clips and straps, they're easily and quickly mounted on nearly any surface. And to ease installation and maintenance, CommScope's mounting bracket can be used in all applications. This one common platform, backed by consistent documentation and training, ensures easy and efficient installations for all NOVUX compact closures.



Standard mounting clips



Pole mounting



Pedestal mounting



Strand mounting



Wall or flat surface mounting



Unique network identification

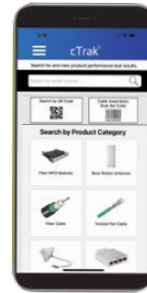
One-click access to all product information

NOVUX compact closures come with a QR code that allows installers to access CommScope's cTrak® app. With one click, cTrak provides a wealth of product information, specifications, installation instructions, videos, schematics, and test results.

NOVUX—built for you

You work hard to give your customers the best network connectivity. Why should your terminals look the same as those of other providers? NOVUX compact closures offer an optional customer-configurable ID plate.

- Ease of network record-keeping
- Clarity for multiple operators that share locations
- Helps installers find your closures and service your network faster



[See how cTRAK works](#)

[Download cTRAK app](#)



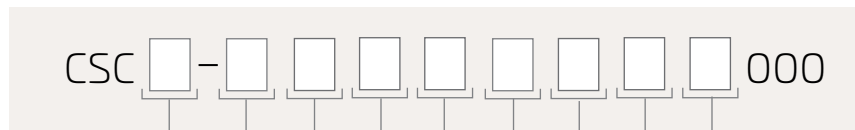
Investing in the planet

CommScope designed NOVUX using sustainable practices for packaging, labeling and installation, helping customers meet their own corporate sustainability goals.

All components come in compact, convenient packaging for optimal environmental benefit and minimize single-use plastic.



NOVUX compact closure CSC 100 ordering information



Size and color

3	6 Port black
4	6 Port gray

Sealing

U	Underground, IP68
---	-------------------

Connector type

1	SC/UPC
2	LC/UPC *
3	SC/APC
4	LC/APC *
5	Splice only

* With duplex adapters

Number of adapters

A	no adapters
C	4
D	6

Number of pigtails

1	None
3	4
4	6
6	12

Mounting

A	No mounting
B	Mounting clips
C	Mounting bracket

Splice Protector

B	Smouv 45
---	----------

Splitters

1	None
2	1:2
3	1:4
4	1:8
7	2 x 1:2
8	2 x 1:4

Pigtail colors

A	TIA 598
---	---------



Contact your CommScope representative for configuration availability.

Cable Termination Unit (CTU) options

Cable retention¹

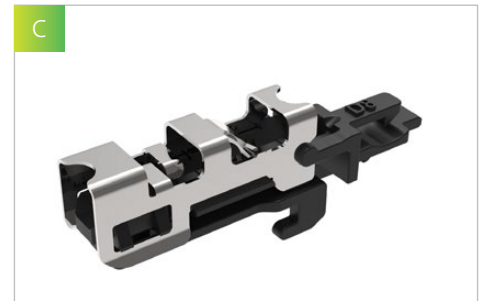
A	None
B	NVX-CR-MC-FT-NN
C	NVX-CR-MC-RD-NN
D	NVX-CR-SA-SM-NN
E	NVX-CR-TI-SM-NN
F	NVX-CR-DU-SL-NN
G	NVX-CR-DU-FL-NN

¹ 3 cable retentions for feeder and branch are supplied in the kit



NVX-CR-MC-FT-NN

- Flat cable
- Metal clip
- Range: 3x5 – 4x8 mm



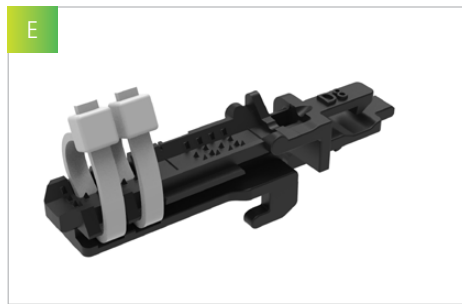
NVX-CR-MC-RD-NN

- Round cable
- Metal clip
- Range: 4 – 6.2 mm



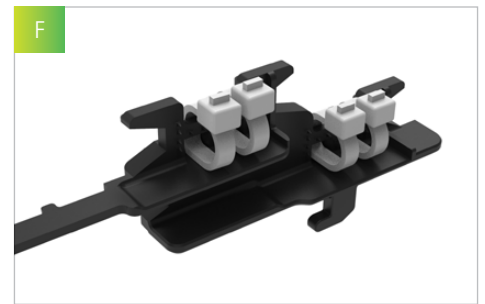
NVX-CR-SA-SM-NN

- Round cable
- Small, up to 8 mm
- Strength member
- Aramide years
- Single layer



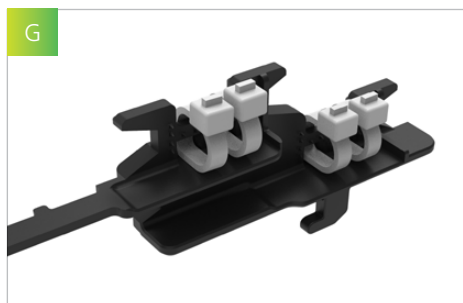
NVX-CR-TI-SM-NN

- Round cable
- Small, up to 8 mm
- Aramide years
- Single layer



NVX-CR-DU-SL-NN

- Round cable
- Dia up to 6.2 mm
- Aramide years
- Dual layer
- Compact length



NVX-CR-DU-FL-NN

- Round cable
- Dia up to 6.2 mm
- Aramide years
- Dual layer
- Full length

CommScope pushes the boundaries of communications technology with game-changing ideas and ground-breaking discoveries that spark profound human achievement. We collaborate with our customers and partners to design, create and build the world's most advanced networks. It is our passion and commitment to identify the next opportunity and realize a better tomorrow. Discover more at commscope.com.

COMMSCOPE®

commscope.com

Visit our website or contact your local CommScope representative for more information.

© 2021 CommScope, Inc. All rights reserved.

Unless otherwise noted, all trademarks identified by ® or ™ are registered trademarks, respectively, of CommScope, Inc. This document is for planning purposes only and is not intended to modify or supplement any specifications or warranties relating to CommScope products or services. CommScope is committed to the highest standards of business integrity and environmental sustainability with a number of CommScope's facilities across the globe certified in accordance with international standards, including ISO 9001, TL 9000, and ISO 14001. Further information regarding CommScope's commitment can be found at www.commscope.com/About-Us/Corporate-Responsibility-and-Sustainability.

BR-1133993-EN (05/21)